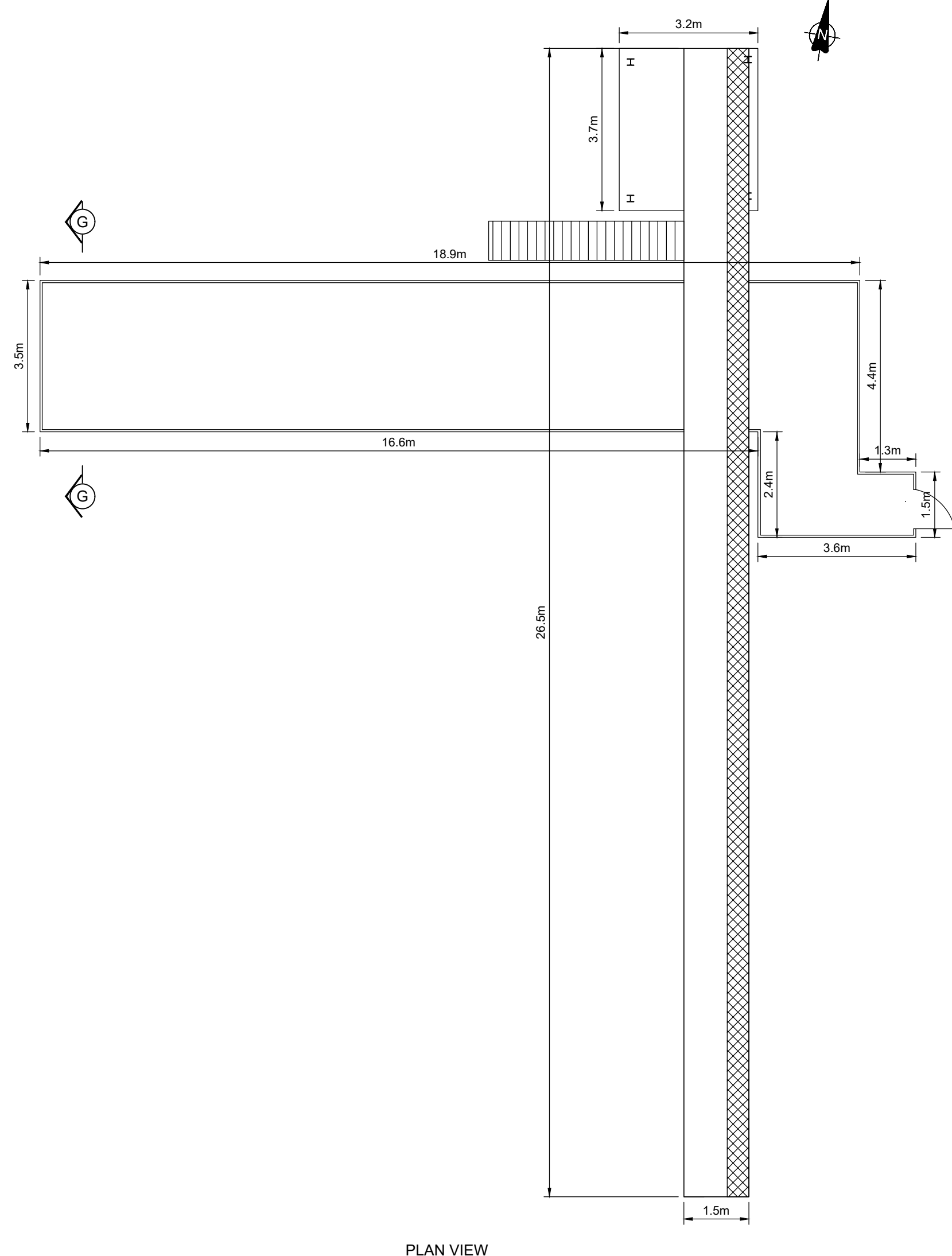
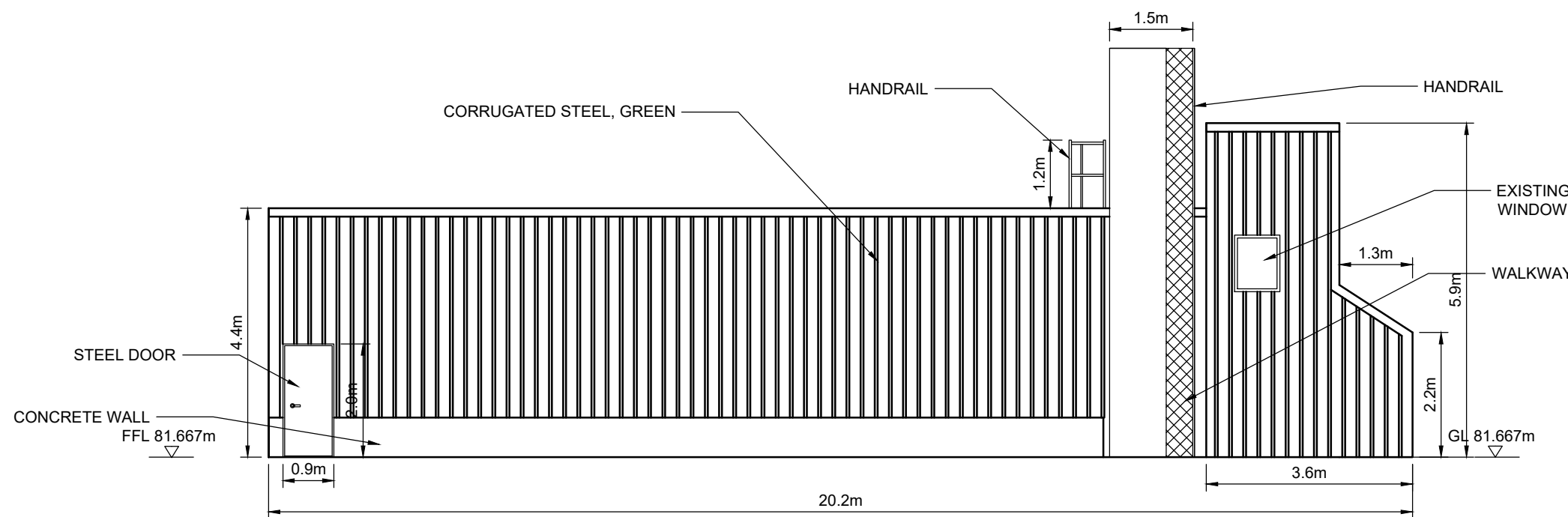


NOTES:

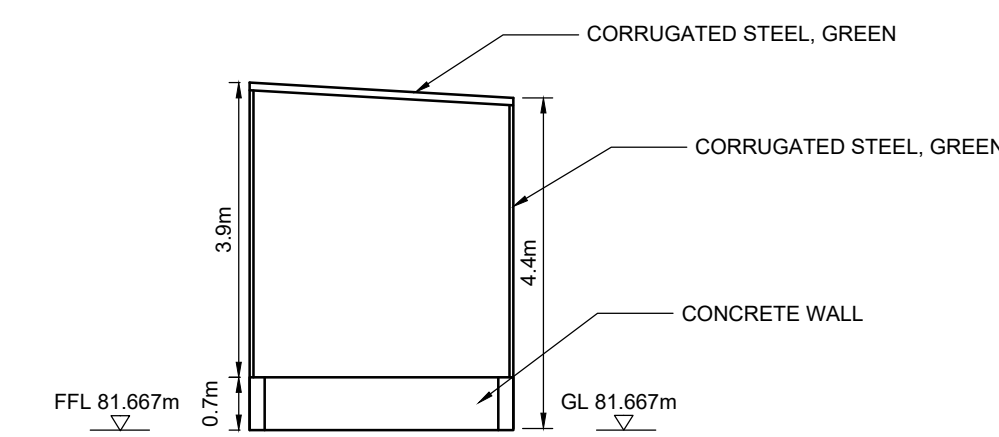
1. THIS DRAWING IS FOR PLANNING APPLICATION PURPOSES ONLY.
2. DRAWING NOT TO BE SCALED. FIGURED DIMENSIONS ONLY TO BE USED.
3. ALL LEVELS TO MALIN HEAD METRES ABOVE DATUM



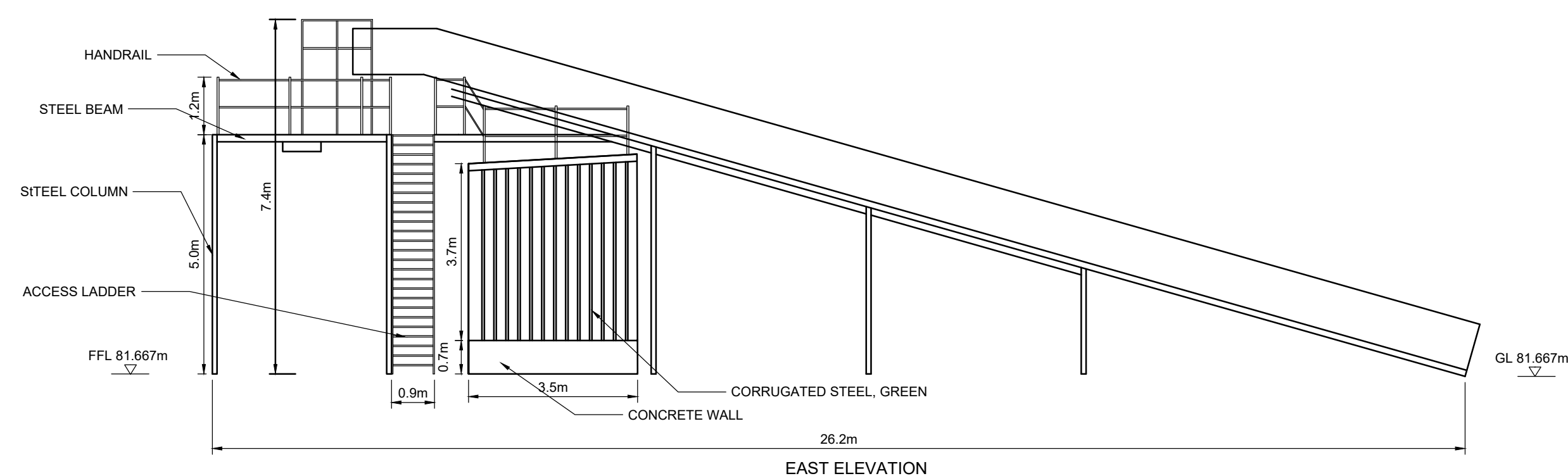
PLAN VIEW



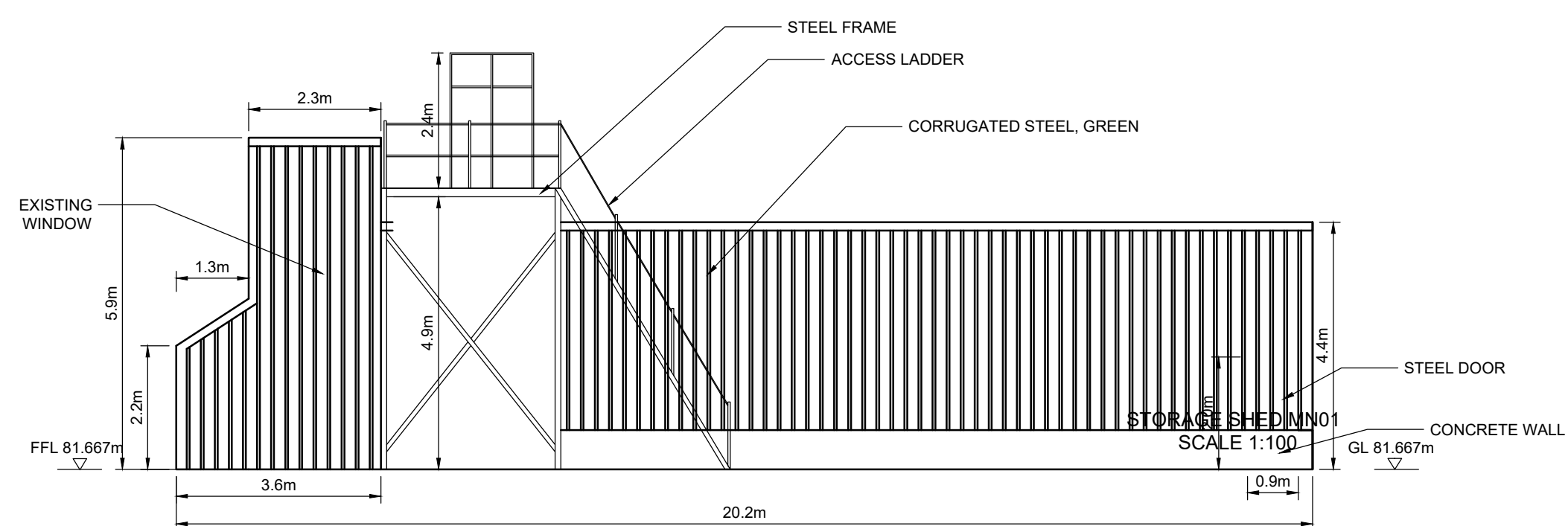
SOUTH EAST ELEVATION



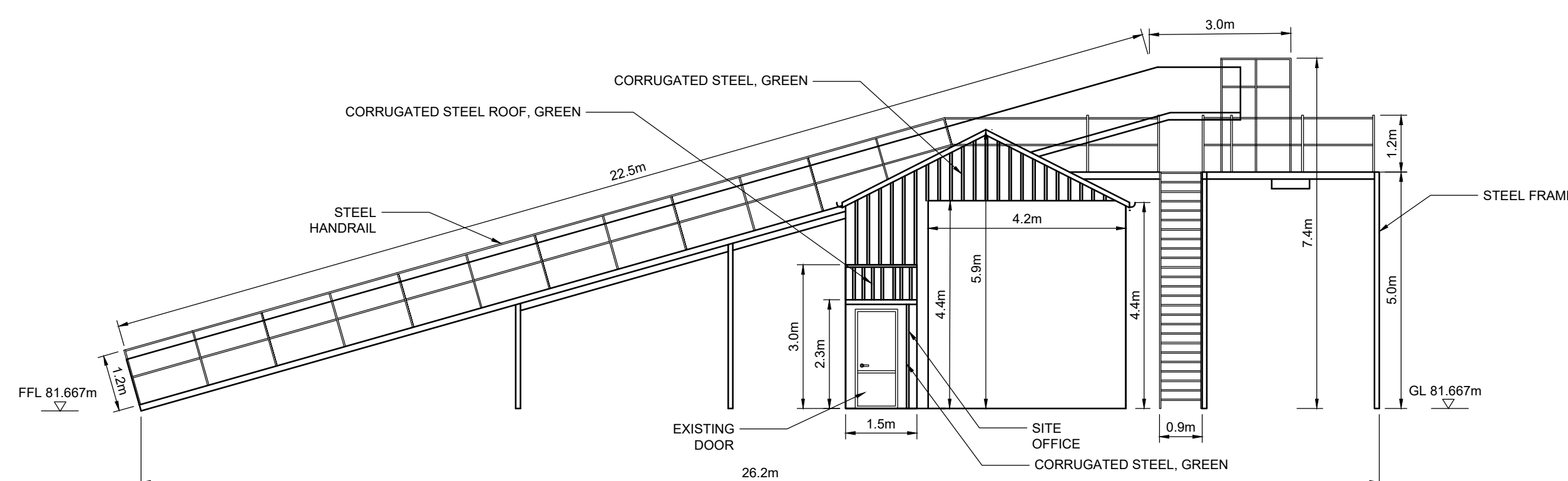
SECTION G-G



EAST ELEVATION



WEST ELEVATION



NORTH ELEVATION

PEAT OUTLOADING FACILITY
SCALE 1:100

Project: **SUBSTITUTE CONSENT APPLICATION
MONETTIA , CO LAOIS**

Title: **BUILDINGS AND STRUCTURES**

REVISION	By	Date	Chk'd

Dimensions in METRES
Scale: 1/100 @ A1
Drawn By: CG 29/04/2020
Checked By: PN 06/05/2020
Approved By: DK 13/05/2020

BORD MÓNA
Naturally Driven
Bord Na Móna Engineering Department
LEABEG, TULLAMORE CO. OFFALY
Tel: 057 9345900 Fax: 057 9345160

Drawing No. SC-0500-MN-DR07
Revision. Sheet 3 of 3